

- Wireless, RF SAW Filter
- Revision 0: October 2014

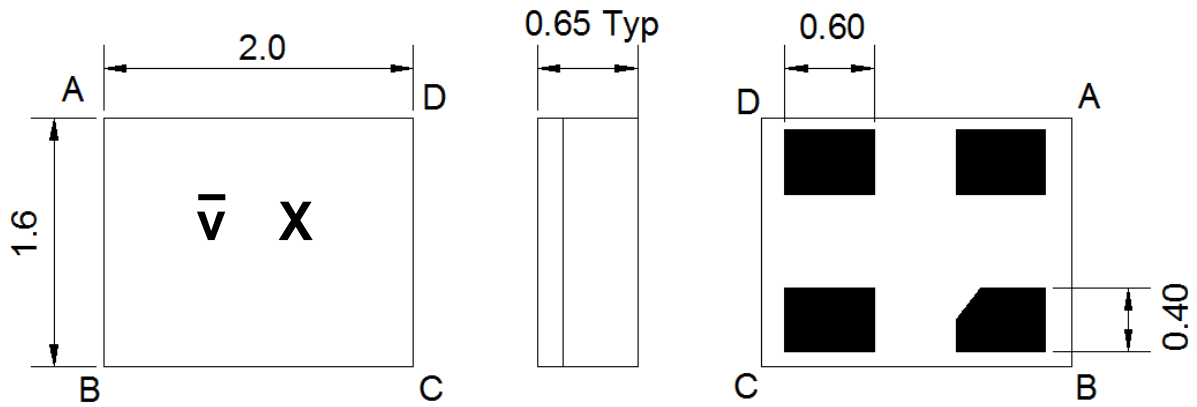
Electrical Characteristics

MAXIMUM RATING				
PARAMETERS DESCRIPTION	UNIT	MINIMUM	TYPICAL	MAXIMUM
Operating Temperature Range	°C	-40	-	+85
Storage Temperature Range	°C	-40	-	+85
Maximum DC Voltage	V	-	-	3
Maximum Input Power	dBm	-	-	15
Source Impedance (single ended) ⁽¹⁾	Ω	-	50	-
Load Impedance (single ended) ⁽¹⁾	Ω	-	50	-
Package type & size	C44			
Length x Width	mm ²	-	2.0 x 1.6	-
Height	mm	-	-	0.65

ELECTRICAL SPECIFICATION				
PARAMETERS DESCRIPTION	UNIT	MINIMUM	TYPICAL	MAXIMUM
Center Frequency (Fo)	MHz	-	915.0	-
Insertion Loss within 902.0 ~ 928.0 MHz	dB	-	2.0	3.0
Amplitude Ripple within 902.0 ~ 928.0 MHz	dB _{p-p}	-	0.6	1.5
Group Delay Variation 902.0 ~ 928.0 MHz	ns _{p-p}	-	15	40
Return Loss within 902.0 ~ 928.0 MHz	dB	10	14	-
Attenuation:				
10.0 ~ 857.5 MHz	dB	40	54	-
857.5 ~ 882.5 MHz	dB	35	48	-
970.0 ~ 1005.0 MHz	dB	35	43	-
1005.0 ~ 1110.0 MHz	dB	45	56	-
1110.0 ~ 3000.0 MHz	dB	30	40	-

Notes : (1) No Matching Network

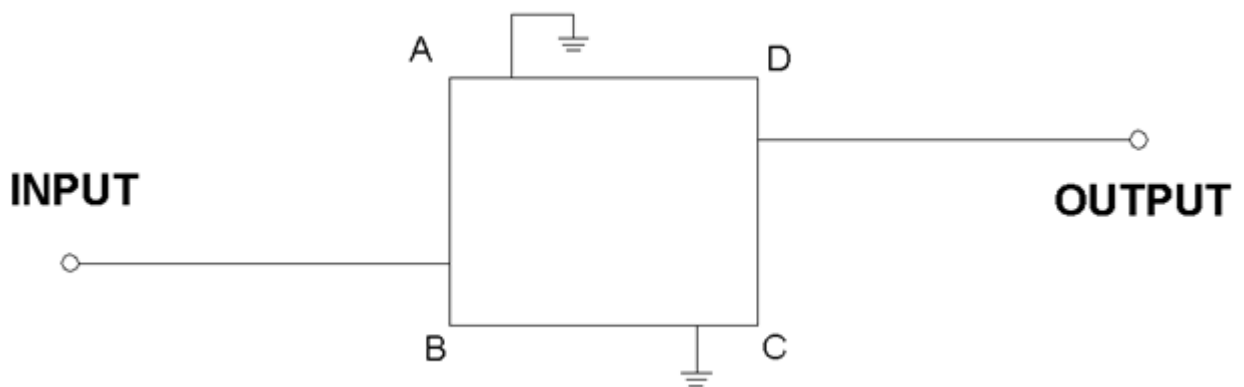
Package Dimensions



Marking Descriptions	
\bar{v}	Series Number
X	Date Code(Year+Month)

Pin Description	
A, C	Ground
B	Input
D	Output

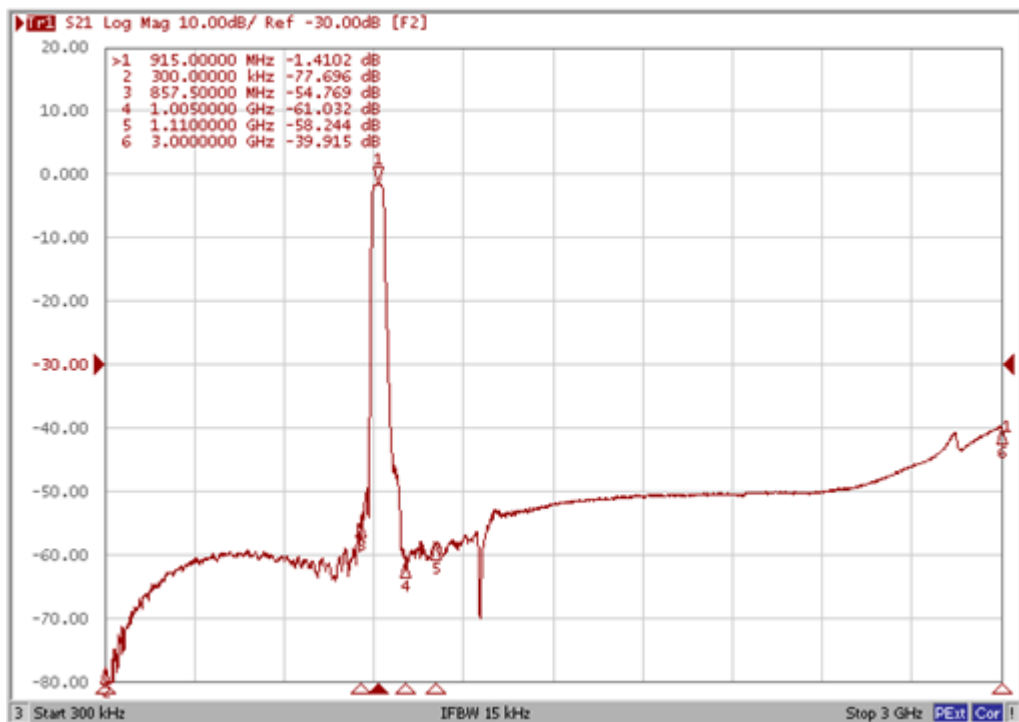
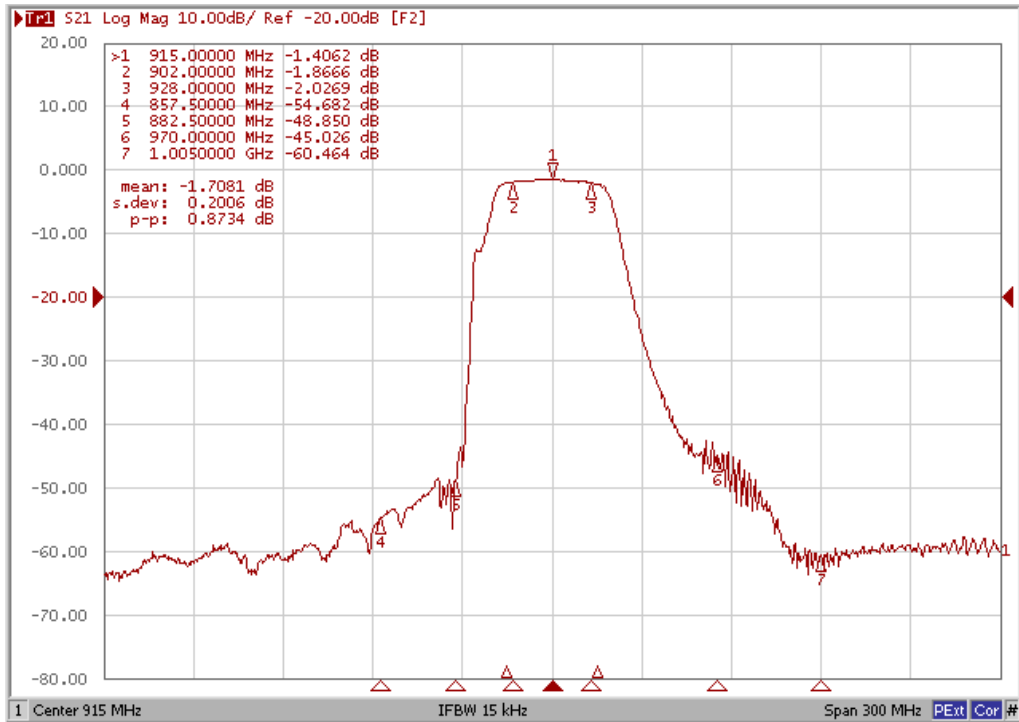
Testing Environment



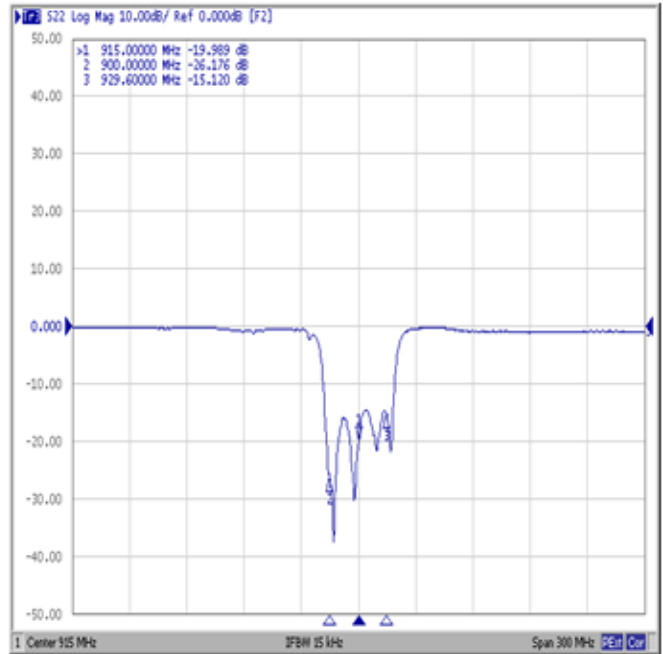
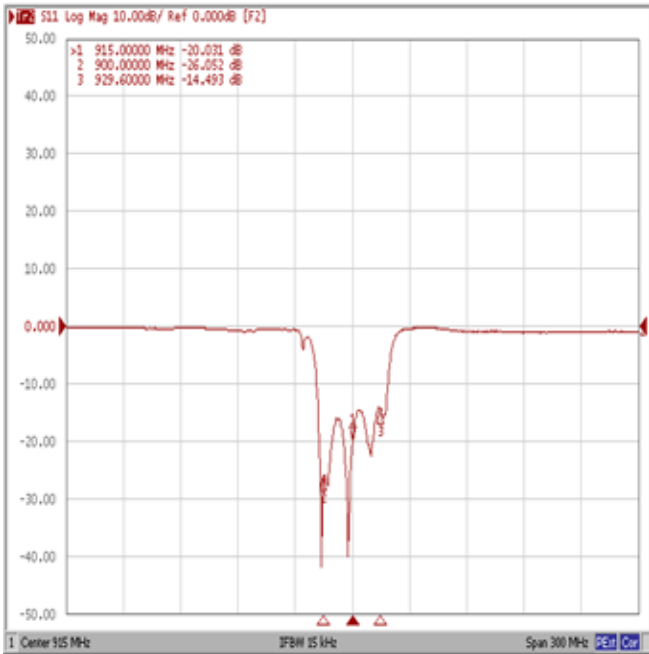
Source & Load Impedance: 50 Ω

Frequency Characteristics

Frequency Response



Return Loss



Smith Chart

